

GTD, CABLE LINK

Application:

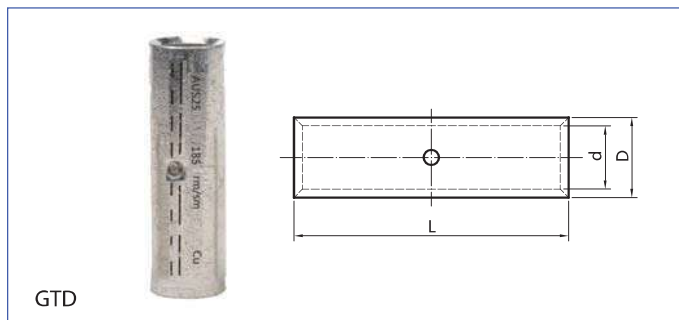
Used for intermediate connection of copper cables in medium voltage.

Material: Cu ≥ 99.9%

Surface: tin plated

Feature:

- Clear markings on barrel to indicate correct crimping location, together with DIN standard crimping die.
- Standard: DIN 46267



GTD

Type	Conductor Size (mm ²)	Dimensions			Pack(pcs)	Crimping Die
		L(mm)	d(mm)	D(mm)		
GTD6	6	30	3.8	5.5	2000x2	-
GTD10	10	30	4.5	6	2000x2	DT6
GTD16	16	50	5.5	8.5	600x2	DT8
GTD25	25	50	7	10	400x2	DT10
GTD35	35	50	8.2	12.5	250x2	DT12
GTD50	50	56	10	14.5	220x2	DT14
GTD70	70	56	11.5	16.5	160x2	DT16
GTD95	95	70	13.5	19	100x2	DT18
GTD120	120	70	15.5	21	90x2	DT20
GTD150	150	80	17	23.5	60x2	DT22
GTD185	185	85	19	25.5	55x2	DT25
GTD240	240	90	21.5	29	30x2	DT28
GTD300	300	100	24.5	32	24x2	DT32
GTD400	400	150	27.5	38.5	12x2	DT38
GTD500	500	160	31	42	10x2	DT42
GTD630	630	160	34.5	44	10x2	DT44
GTD800	800	200	40	52	6x4	-