

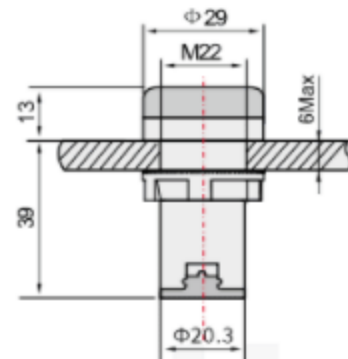


Round Ammeter  
Pilot light

220V AC  
0~50A  
50~100A



- Red
- Yellow
- Green AD22-22DSA
- Blue
- White



AD22-22DSA

- ◆ **Characteristic:** high light transmission, wear resistance long service life, clear, bright and intuitive
- ◆ **Product Features :** Accurate Reading/Durable in Use/Energy Conservation/High Brightness Digital Display
- ◆ **Product material:** it is possible to meet all kinds of international standard Lampshade, which is made of polycarbonate with high intensity and enjoying better anti-surge performance, and bolt-type connector designed will make it safer and more convenient. All improvement will be provided to make your choice more convenient and your design perfect.

#### Applicable environment

Surrounding temperature

-25℃~+55℃

Relative humidity

≤98%

It can normally work under the conditions of 2-80Hz vibration frequency and 0.7g/h accelerated speed

Pollution grade: III

Installed sort: III

It is possible to work under the moist tropical environment if there is a "TH" sign

#### Main technical target

Voltage of working frequency

2.5kV (AC valid value), 1min

Insulated resistance

1MΩ

Voltage wave allowed by AC indicator ±20%

Continual working life

≥30000h

Brightness

60cd/m<sup>2</sup>

Index of leakage CT1

≥100

Protection grade is IP40, and it is possible to be made to up to IP67

Using frequency

AC50-60Hz