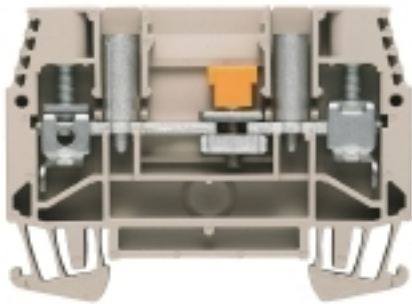


**W-Series
WTL 6/1/STB**

Weidmüller Interface GmbH & Co. KG
 Klingenbergstraße 16
 D-32758 Detmold
 Germany
 Fon: +49 5231 14-0
 Fax: +49 5231 14-292083
 www.weidmueller.com



Current and voltage transformer wiring

Our test disconnect terminal blocks featuring spring and screw connection technology allow you to create all the important converter circuits for measuring current, voltage and power in a safe and sophisticated way.

General ordering data

Type	WTL 6/1/STB
Order No.	1016900000
Version	Test-disconnect terminal, Screw connection, 6 mm ² , 630 V, 41 A, sliding, Dark Beige
GTIN (EAN)	4008190029715
Qty.	50 pc(s).

W-Series
WTL 6/1/STB

Weidmüller Interface GmbH & Co. KG
 Klingenbergstraße 16
 D-32758 Detmold
 Germany
 Fon: +49 5231 14-0
 Fax: +49 5231 14-292083
 www.weidmueller.com

Technical data**Dimensions and weights**

Width	7.9 mm	Width (inches)	0.311 inch
Height	65 mm	Height (inches)	2.559 inch
Depth	47.5 mm	Depth (inches)	1.87 inch
Depth including DIN rail	48.5 mm	Net weight	23.92 g

Temperatures

Continuous operating temp., min.	-50 °C	Continuous operating temp., max.	120 °C
----------------------------------	--------	----------------------------------	--------

Material data

Material	Wemid	Colour	Dark Beige
UL 94 flammability rating	V-0		

System specifications

Version	Screw connection, Disconnection element, with sockets, One end without connector	Tightening torque (clamping screw for copper conductors)	1...1.6 Nm
Tightening torque (separating screw)	0.5...0.7 Nm	End cover plate required	Yes
Number of potentials	1	Number of levels	1
No. of clamping points per level	2	Number of potentials per tier	1
Levels cross-connected internally	No	PE connection	No
Mounting rail	TS 35	N-function	No
PE function	No	PEN function	No

Additional technical data

Explosion-tested version	No	Number of similar terminals	1
Open sides	right	Type of mounting	Snap-on

CSA rating data

Certificate No. (CSA)	200039-1057876	Current size C (CSA)	45 A
Voltage size C (CSA)	600 V	Wire cross section max. (CSA)	8 AWG
Wire cross section min. (CSA)	20 AWG		

W-Series
WTL 6/1/STB

Weidmüller Interface GmbH & Co. KG
 Klingenbergstraße 16
 D-32758 Detmold
 Germany
 Fon: +49 5231 14-0
 Fax: +49 5231 14-292083
 www.weidmueller.com

Technical data
Conductors for clamping (rated connection)

Blade size	0.8 x 4.0 mm	Clamping range, rated connection, max.	10 mm ²
Clamping range, rated connection, min.	0.5 mm ²	Clamping screw	M 3.5
Connection direction	on side	Cross-section for connected conductor, finely stranded with wire-end ferrules and plastic collars DIN 46228/4, rated connection, min.	0.5 mm ²
Gauge to IEC 60947-1	A5	Number of connections	2
Stripping length	12 mm	Tightening torque, max.	1.6 Nm
Tightening torque, min.	1 Nm	Torque level with DMS electric screwdriver	3
Type of connection	Screw connection	Wire connection cross section AWG, max.	AWG 8
Wire connection cross section AWG, min.	AWG 20	Wire connection cross section, finely stranded with wire-end ferrules DIN 46228/1, rated connection, max.	6 mm ²
Wire connection cross section, finely stranded with wire-end ferrules DIN 46228/1, rated connection, min.	0.5 mm ²	Wire connection cross section, finely stranded, max.	10 mm ²
Wire connection cross section, solid core max. rated connection	10 mm ²	Wire connection cross section, solid core, min. rated connection	0.5 mm ²
Wire connection cross section, stranded, rated connection, max.	10 mm ²	Wire connection cross section, stranded, rated connection, min.	1.5 mm ²
Wire connection cross-section, finely stranded with wire-end ferrules and plastic collars DIN 46228/4, rated connection, max.	6 mm ²	Wire connection cross-section, finely stranded, min.	0.5 mm ²

Dimensions

TS 35 offset	30 mm
--------------	-------

Disconnect terminals

Cross-disconnect	without	Integral test socket	Yes
Slitting	sliding	Torque max. screw separator	0.7 Nm
Torque min. screw separator	0.5 Nm		

Rating data

Rated cross-section	6 mm ²	Rated voltage	630 V
Rated current	41 A	Current at maximum wires	57 A
Volume resistance according to IEC 60947-7-x	0.78 mΩ	Rated impulse withstand voltage	6 kV
Pollution severity	3		

UL rating data

Certificate No. (UR)	E60693	Conductor size Factory wiring max. (UR)	8 AWG
Conductor size Factory wiring min. (UR)	20 AWG	Conductor size Field wiring max. (UR)	8 AWG
Conductor size Field wiring min. (UR)	20 AWG	Current size C (UR)	45 A
Voltage size C (UR)	300 V		

Data sheet

**W-Series
WTL 6/1/STB**

Weidmüller Interface GmbH & Co. KG
 Klingenbergstraße 16
 D-32758 Detmold
 Germany
 Fon: +49 5231 14-0
 Fax: +49 5231 14-292083
 www.weidmueller.com

Technical data

Classifications

ETIM 3.0	EC000902	ETIM 4.0	EC000902
ETIM 5.0	EC000902	ETIM 6.0	EC000902
UNSPSC	30-21-18-11	eClass 5.1	27-14-11-26
eClass 6.2	27-14-11-26	eClass 7.1	27-14-11-26
eClass 8.1	27-14-11-26	eClass 9.0	27-14-11-26
eClass 9.1	27-14-11-26		

Product information

Descriptive text ordering data	TS32 version on request
Descriptive text technical data	Use as 500 V disconnect terminal. Wire connection H07V-K10, H07V-R10 and AWG 8/7 with tightening torque of 1.4 Nm.

Approvals

Approvals



ROHS	Conform
------	---------

Downloads

Approval/Certificate/Document of Conformity	DE_PT1004_20160418_993_ISSUE01.pdf
Engineering Data	EPLAN, WSCAD, Zuken E3.S

Safety note

Safety notice	Safety Information
---------------	------------------------------------

Data sheet

W-Series
WTL 6/1/STB

Weidmüller Interface GmbH & Co. KG
Klingenbergstraße 16
D-32758 Detmold
Germany
Fon: +49 5231 14-0
Fax: +49 5231 14-292083
www.weidmueller.com

Drawings

