

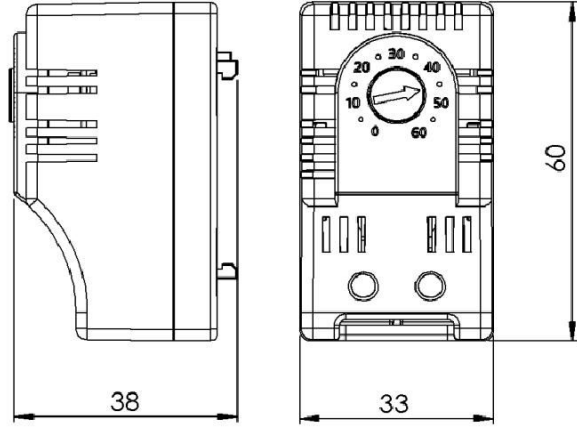
PRODUCT DATASHEET



Ziya Gökalp Mah. İkitelli Organize Sanayi Bölgesi
Atatürk Bulvarı No : 50 34490 Başakşehir / İSTANBUL
Telefon : +90 212 549 22 52 pbx
Faks : +90 212 549 25 80
Web : www.emasas.com.tr
E-mail : info@emasas.com.tr

PRODUCT DESCRIPTION :PTM111PANEL MOUNT THERMOSTAT NO COOL BLUE

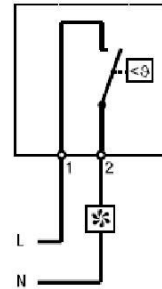
STANDARDS and CERTIFICATE



PRODUCT EXPLANATION

CIRCUIT DIAGRAM

TP10 (NO CONTACT)



TECHNICAL AND GENERAL SPECIFICATION

Temperature Range	0-60 °C
Sensor element:	Thermostatic bimetal
Contact Type	Snap action
Contact Resistance	< 10mΩ
Working Voltage	AC 24-230V
Max. Breaking Capacity	230 VAC 10 A 24 VAC 15 A
Insulation Class	IP20

Mounting	35mm DIN Rail (EN 50022)
Operating Temperature	-20...+80°C (-49... +176°F)
Dimensions	60x33x38
Connections	2 poles terminal 2,5 mm2
Casing	UL94 V0
Standart	EN 60730-2-9
Frequency	50 Hz

