

Datasheet - AZM 161-B1

Solenoid interlock / AZM 161 / Actuator

 Preferred typ

(Minor differences between the printed image and the original product may exist!)

Ordering details

Product type description	AZM 161-B1
Article number	101145117
EAN code	4030661283920
eCl@ss	27-27-92-16

Global Properties

Product name	Gerader Betätiger AZM 161-B1
Weight	25 g

Mechanical data

Design of actuators	straight
Minimum actuating radius	150 mm

notice

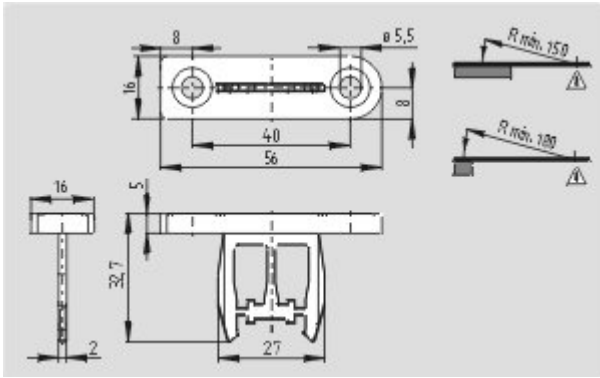
The axis of the hinge should be 5 mm above the top edge of the safety switch and in the same plane
On hinged guards, minimum actuating radius at 90° to the plane of the actuator 180 mm
minimum actuating radius on hinged guards in line with the plane of the actuator 150 mm

Documents

Mounting and wiring instructions (de, en, fr, it, es, jp) 203 kB, 08.07.2008

Code: m_zm1p02

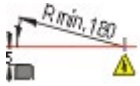
Images



Dimensional drawing (miscellaneous)



Actuating radius



Actuating radius

K.A. Schmersal GmbH & Co. KG, Möddinghofe 30, D-42279 Wuppertal

The data and values have been checked thoroughly. Technical modifications and errors excepted.

Generiert am 30.10.2017 - 13:23:02h Kasbase 3.2.7.F.64I