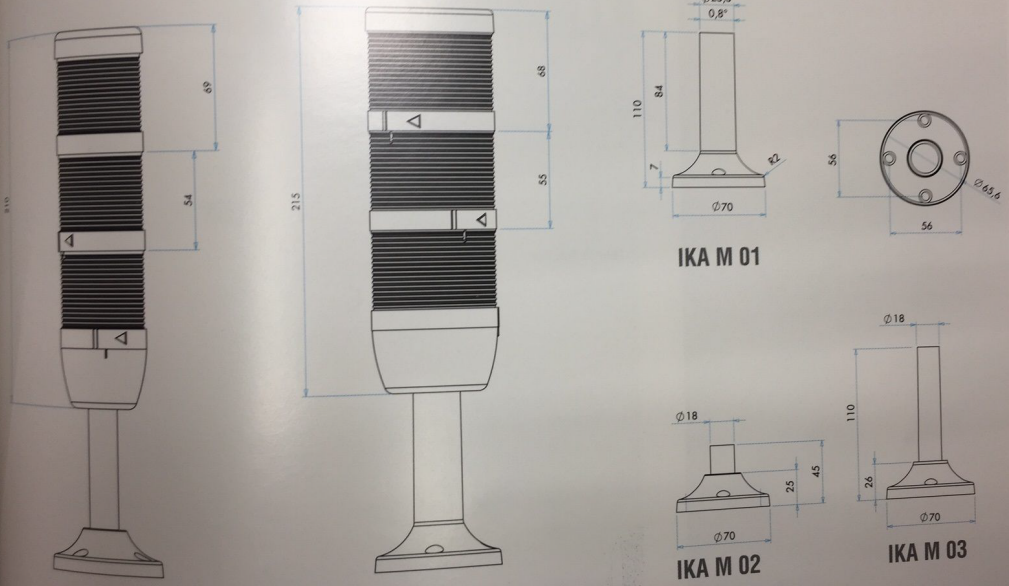


BOYUTLAR (mm) / DIMENSIONS (mm)



**IK** Serisi Işıklı İkazlar Seçim Tablosu  
Series Light Towers Selection Table

Seri	Etanj	Çap	Kat	Ampul Tipi	Gerilim	Buzzer	Bağlantı
<b>IK</b>	<b>E</b>	<b>5</b>	<b>3</b>	<b>L</b>	<b>220</b>	<b>X</b>	<b>M03</b>
Series	Etanj	Diameter	Stage	Bulb Type	Voltage	Buzzer	Connection
<b>IK</b> Serisi Işıklı İkaz Series Light Tower	<b>E</b> Etanjlık IP65 For Etanj IP65	<b>5</b> Ø 50 Çap Ø 50 Diameter <b>7</b> Ø 70 Çap Ø 70 Diameter	<b>1</b> <b>2</b> <b>3</b> <b>4</b> <b>5</b>	<b>L</b> LED'li Ampul LED Bulb <b>F</b> Flaşör LED'li Ampul Flashing LED Bulb	<b>024 VDC</b> <b>220 VAC</b>	<b>X</b> Buzzersiz w/o Buzzer <b>Z</b> Buzzerli With Buzzer	<b>M01</b> 100 mm Plastik Ayak 100 mm Plastic Base <b>M02</b> 20 mm Alüminyum Ayak 20 mm Aluminium Base <b>M03</b> 100 mm Alüminyum Ayak 100 mm Aluminium Base <b>M04</b> 500 mm Alüminyum Ayak 500 mm Aluminium Base <b>D01</b> Duvar Bağlantısı Wall Base <b>D02</b> Ayarlanabilir Ayak Adjustable Base



**IK** Series Light Towers

- Heat resistant, clear vision Polycarbonate signal modules
- Moduler structure
- Ø 50, Ø 70 diameter options
- LED, flashing LED bulb options
- Easy and tool less connection thanks
- Easy wiring thanks to terminal block
- Connection modules for machine and wall
- Buzzer option

Technical Information

Standard

