

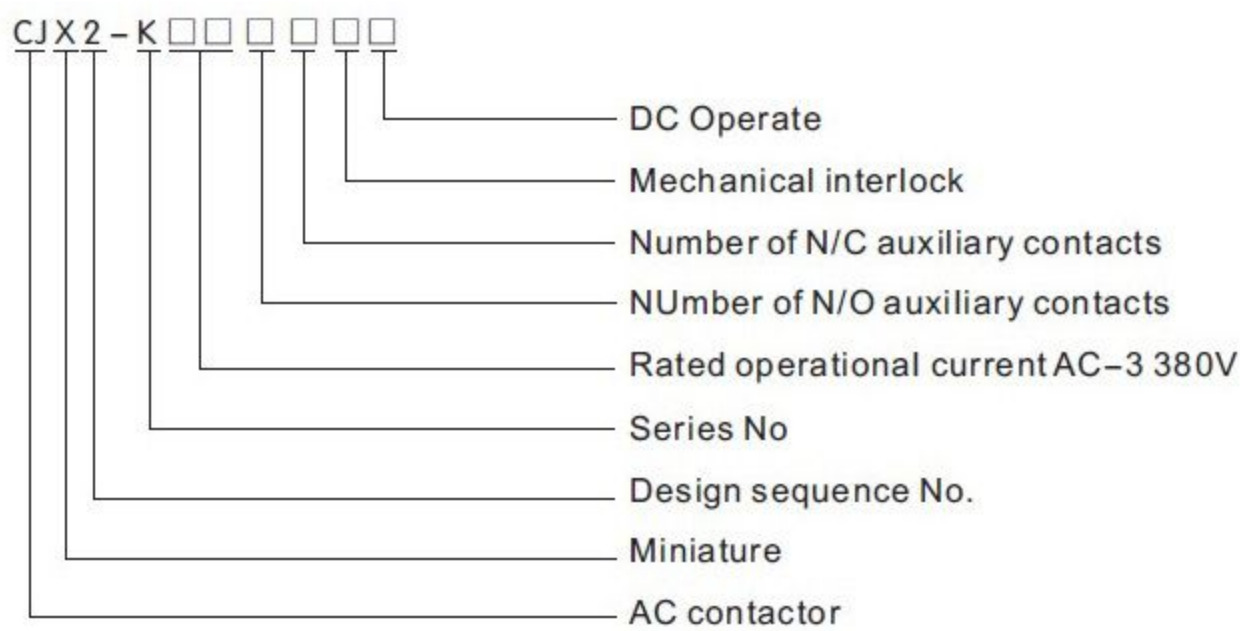
# CJX2-K Series AC contactor

## APPLICATION

CJX2 series AC contactor (hereinafter to be referred as contactor), it mainly applies to the circuit of AC 50Hz/60Hz, and rated insulation voltage 660V. Combined with proper thermal overload relay can protect load circuit. Contactor can frequently start and control AC electromotor. This product conforms to GB 14048.4、IEC60947-4-1 standard.



## MODEL AND MEANING



## NORMAL RUNNING AND INSTALLATION CONDITIONS

- Ambient air temperature: -5°C ~ +40°C, the average value should not exceed +35°C within 24 hours.
- Elevation: At most 2000m.
- Atmospheric conditions: When the temperature at 40, the relative humidity of atmosphere should be at the most 50%. When at relatively low temperatures, it could have higher relative humidity. Monthly maximum relative humidity could be not more than 90%. Special measures should be taken due to occurrence of dews.
- Class of pollution: Class 3
- Installation category: III
- Installation conditions: Degree of inclination between fitting surface and vertical surface should not exceed ±30°
- Impact shock: Product should be installed and used in the place where often shakes and impacts.



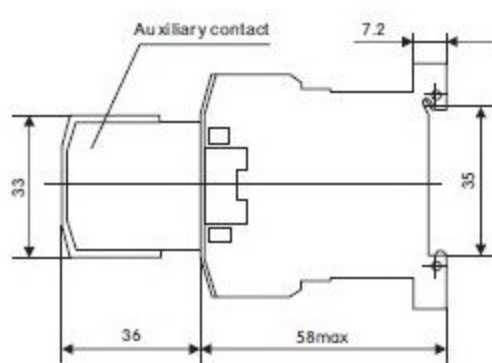
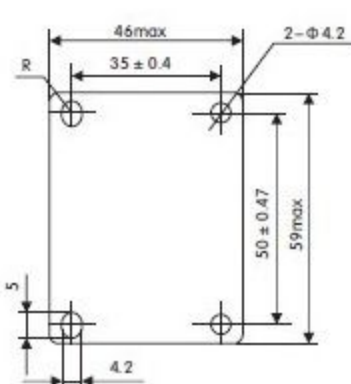
## MAIN TECHNICAL PARAMETER

Parameter Item	Model	CJX2-K06	CJX2-K09
Rated operational current(A) AC-3/AC-4	380V	6	9
	660V/690V	3.8	5
Rated insulation voltage(V)		690	690
Conventional heating current(A)		20	20
Power of controllable 3-phase squirrel-cage motor(kW) AC-3	220V	1.5	2.2
	380V	2.2	4
	660V/690V	3	4
Operational frequency (Operations/h)	Electric life	AC-3	1200
		AC-4	300
	Mechanical life	3600	
Electric life (10 <sup>4</sup> operations)	AC-3	120	
	AC-4	2.5	
Mechanical life (10 <sup>4</sup> operations)		1000	
Auxiliary Contact		CJX2-K20 CJX2-K02	CJX2-K20 CJX2-K02
		CJX2-K11 CJX2-K40	CJX2-K11 CJX2-K40
		CJX2-K31 CJX2-K22	CJX2-K31 CJX2-K22
		CJX2-K13 CJX2-K04	CJX2-K13 CJX2-K04
	Conventional heating current(A)	10A	10A
	Conventional heating current(A)	AC-15 360VA; DC-13 33W	AC-15 360VA; DC-13 33W
Equipped with fuse Model	Control capacity	RT16-16	RT16-20
Coil Power (VA)	Pick	30	30
	Keeping	4.5	4.5
	CJX2-K06		CJX2-K09
Root number	1	1	
Conductor (mm <sup>2</sup> )	2.5	2.5	
Terminal screw size	M3	M3	
Tightening torque (N · m)	0.5	0.5	

## Structural features

- has advanced structure, small size, light weight, low power consumption, high life, safety and reliability, technical performance characteristics.
- can be used to install modular mounting auxiliary contact group, attachments, etc. combined into a variety of thermal relay derived products.
- In addition to the contactor mounting screws, but also with a standard 35mm rail mounting.
- contactor core and the contact with the mounting surface parallel to the direction of motion.

## Overall and installation dimensions



## Ordering Information

- It must be noted when ordering:
- Contactor full name, model;
- Coil rated voltage and frequency or specification code;
- number of orders.
- Ordering example: CJX2-0910 AC contactor coil voltage 220V 50Hz 10 units CJX2-22 5 只.