

features

- Safe and reliable
- LPCB certified to BS5839 :part 2 : 1983
- Available with or without internal resistor
- Flush or surface mounting
- IP24D rating
- Terminals for up to 2.5mm² conductors
- Complimentary range of accessories

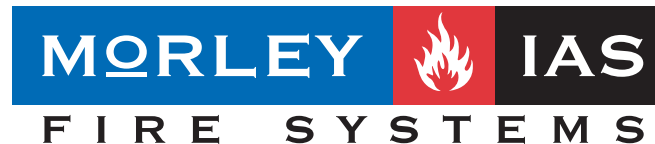
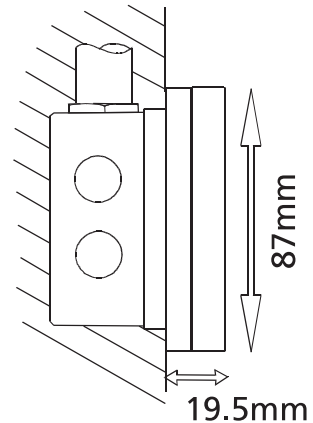
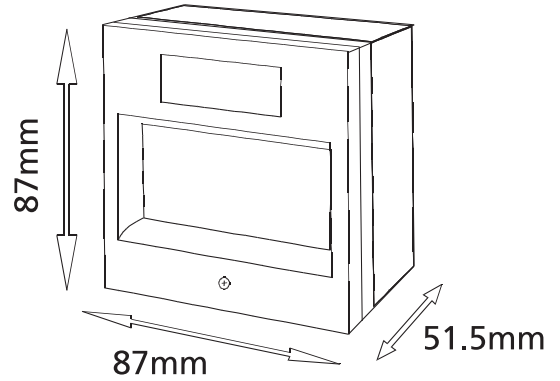
The 2000 series manual call points have been developed to provide a manual alarm interface to conventional fire alarm systems. High quality switching components and materials combine to provide excellent reliability and safety.

The series is available in a variety of options including different colours, mountings and switching arrangements. This flexibility ensures that a call point is available to match the environment and the installation.

Function testing of the call points is easily achieved through the use of a specialist test key (provided) which is simply pushed into the bottom of the unit to activate the switch.

mechanical

Material	Polycarbonate ABS plastic
Flammability	UL94-HB
Ingress protection	IP24D



Charles Avenue, Burgess Hill
West Sussex, RH15 9UF
United Kingdom

Tel: +44 (0) 1444 23 55 56
Fax: +44 (0) 1444 25 44 10
Email: sales@morleyias.co.uk
www.morley-ias.co.uk








A Honeywell Company

WR2000 Series Conventional Manual Call Points Data Sheet

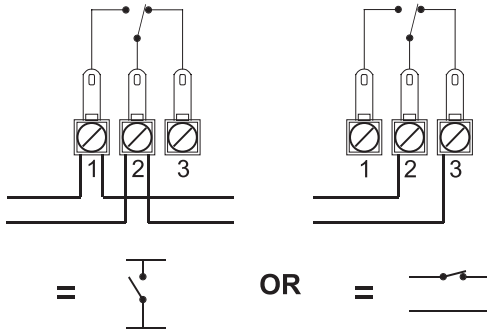


We reserve the right to amend any design or specification in line with our policy of continuing development and improvement. © Morley-IAS Fire Systems 2003.

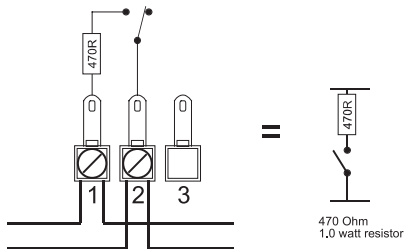
	Part Number	Switching Contacts	Maximum Contact Voltage	IP Rating	Spare Glass	Hinged Cover	Colour	Mounting
	WR2001-GS	Single pole changeover	230 Vac 3A 30Vdc 3A	IP24D	KG1X10	PS115 (PS037-M355X5 cover seals)	Red	Flush
	WR2001/SR/GS						Red	Surface
	WY2001/SY						Yellow	Surface
	WR2072/GS-470	Closing contact with 470 ohm 1 watt resistor	50Vac 30Vdc				Red	Flush
	WR2072/SR/GS-470						Red	Surface

electrical

WR2001 - Single pole changeover



WR2072 - 470 Monitoring Resistor
WY2072 - 470 Monitoring Resistor



accessories



ETT-P

Terminal tray. Aids installation on flush mounting devices.



KG1X10

Call point glass.
Pack of 10 units



SR3T-PC/ABS

Surface mounting back box for flush mounting units (RED colour)



PS115

Call point covers



PS037-M355X5

Call point cover seals.
Pack of 10 units.

Note

All manual call points are supplied without call point glass. A plastic shield is fitted in its place for protection of the switching element during installation.

local distributor

Every care has been taken in the preparation of this data sheet but no liability can be accepted for the use of information therein. Design features may be changed or amended without prior notice.