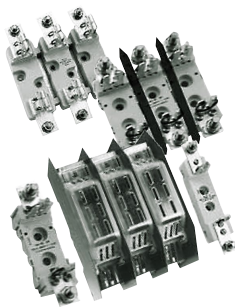


NH Plastic Bases

FUSE HOLDERS, FUSE BASES AND SUPPORTS

IEC NH FUSE BASES



NH fuse-bases are available for delivery in single-pole and three-pole designs and can be closely mounted in parallel rows. Each three-pole base is supplied with two phase-partition walls. NH fuse-links plug on covers which clip onto the contact springs can also be supplied for these bases.

Plastic fuse-bases sizes 00 to 3 have a single-part plastic base while size 4 has a metal baseplate with 2 ceramic bases.

The stable silver-plated contact springs are made of electrolytic copper and formed from one piece. Separate springing is provided by highly resilient captive steel springs, making the contact invulnerable to high thermal stress. Size 4 NH fuse-bases are designed for size 4 fuse-links with 8 mm contact blades.

A microswitch (250VAC/10A, terminal size 6.3x0.8mm) can be used with NH fuse-links with striker, it operates when fuse melts or where there is no fuse-link.

Indirect touch protection fuse bases: no microswitch possible.

Rated impulse withstand voltage U_{imp} : 6kV / 8kV (sizes 00 / 0-4)

TECHNICAL DATA OVERVIEW

| | |
|-------------------|-----------------------------------|
| Voltage AC | 690 VAC |
| Voltage DC | 440 VDC |
| Ampere Range (A) | 160 ... 630 A |
| Size per Standard | 00, 0, 1, 2, 3, 4 |
| Number of Poles | 1-pole, 2-poles, 3-poles, 4-poles |

FEATURES & BENEFITS

- Polyamide insulating bases
- Silver-plated contacts
- High-pressure spring contacts
- Screw or rail mounting
- Connecting cable: 50mm
- Multipolar bases possible by direct linkage in 00 size and with separator accessory in sizes 0, 1, 2 and 3
- Variety of options for protecting active parts through use of accessories: separating plates, separator, cover shields and fuse cover
- Dual cable-connection system on 00 size: by screw or clamp

APPLICATIONS

- For fuse-links with rated voltages up to 690VAC and 440VDC

STANDARDS

- IEC 60269 Compliance
- Dimensions in accordance with DIN 43620
- DIN VDE 0636-2, 0636-21



NH Plastic Bases

PRODUCT RANGE



BB001EPBR BB003EPV-
BLOC

NH Plastic bases Size 00 (power acceptance: 12W)

| Catalog number | Item number | Number of poles/ phases | Connection | Installation mode | Package | Weight |
|--|-------------|-------------------------|---------------|-------------------|---------|---------|
| Type EP (square contacts) | | | | | | |
| BB001EP | F215170 | 1 | Screw | Screw | 3 | 0.13 kg |
| BB00EPBT | T219805 | 1 | Clamp | Screw | 3 | 0.13 kg |
| BB001EPBR | F200795 | 1 | Clamp | DIN rail | 3 | 0.13 kg |
| BB001EPR | R216192 | 1 | Screw | DIN rail | 3 | 0.13 kg |
| BB001EPR-BR | G1060812 | 1 | Screw / Clamp | DIN rail | 3 | 0.13 kg |
| BB001EPBR-R | H1060813 | 1 | Clamp / Screw | DIN rail | 3 | 0.13 kg |
| BB002EP | A217212 | 2 | Screw | Screw | 2 | 0.29 kg |
| BB002EPB | D200793 | 2 | Clamp | Screw | 2 | 0.29 kg |
| BB002EPR | F218758 | 2 | Screw | DIN rail | 2 | 0.29 kg |
| BB002EPBR | T211594 | 2 | Clamp | DIN rail | 2 | 0.29 kg |
| BB003EPB | W201338 | 3 | Clamp | Screw | 1 | 0.4 kg |
| BB003EPVBLOC | W229122 | 3 | Screw | Screw | 1 | 0.4 kg |
| BB003EPBR | C212108 | 3 | Clamp | DIN rail | 1 | 0.4 kg |
| BB003EPRBLOC | V229121 | 3 | Screw | DIN rail | 1 | 0.4 kg |
| BB004EP | S219275 | 4 | Screw | Screw | 1 | 0.58 kg |
| BB004EPB | R211592 | 4 | Clamp | Screw | 1 | 0.58 kg |
| BB004EPR | Z223007 | 4 | Screw | DIN rail | 1 | 0.58 kg |
| BB004EPBR | M215682 | 4 | Clamp | DIN rail | 1 | 0.58 kg |
| Indirect touch protection IP 20 | | | | | | |
| BB001FS | M216694 | 1 | Screw | Screw | 3 | 0.19 kg |
| BB001RFS | S218240 | 1 | Screw | DIN rail | 3 | 0.19 kg |
| BB003SFSBLOC | T229120 | 3 | Screw | Screw | 1 | 0.53 kg |
| BB003RFSBLOC | S229119 | 3 | Screw | DIN rail | 1 | 0.53 kg |



BB01EP

NH Plastic bases Size 0 (power acceptance: 25W)

| Catalog number | Item number | Number of poles/phases | Connection | Installation mode | Package | Weight |
|---------------------------------------|-------------|------------------------|------------|-------------------|---------|---------|
| Type EP (square contacts) | | | | | | |
| BB01EP | B213142 | 1 | Screw | Screw | 3 | 0.19 kg |
| BB01EPR | S216193 | 1 | Screw | DIN rail | 3 | 0.19 kg |
| BB02EP | C214661 | 2 | Screw | Screw | 2 | 0.42 kg |
| BB02EPR | P216696 | 2 | Screw | DIN rail | 2 | 0.42 kg |
| BB03EP | G215171 | 3 | Screw | Screw | 1 | 0.64 kg |
| BB03EPR | C217214 | 3 | Screw | DIN rail | 1 | 0.64 kg |
| BB04EP | Q216191 | 4 | Screw | Screw | 1 | 0.88 kg |
| BB04EPR | J217726 | 4 | Screw | DIN rail | 1 | 0.88 kg |
| Type PP (clip contacts) | | | | | | |
| BB01PP | N216695 | 1 | Screw | Screw | 3 | 0.19 kg |
| BB01PPR | T218241 | 1 | Screw | DIN rail | 3 | 0.21 kg |
| BB02PP | B217213 | 2 | Screw | Screw | 2 | 0.46 kg |
| BB02PPR | G218759 | 2 | Screw | DIN rail | 2 | 0.46 kg |
| BB03PP | G217724 | 3 | Screw | Screw | 1 | 0.62 kg |
| BB03PPR | W219278 | 3 | Screw | DIN rail | 1 | 0.62 kg |
| BB04PP | R218239 | 4 | Screw | Screw | 1 | 0.85 kg |
| BB04PPR | H222486 | 4 | Screw | DIN rail | 1 | 0.85 kg |
| Indirect touch protection IP20 | | | | | | |
| BB01PPFS | X226708 | 1 | Screw | Screw | 3 | 0.31 kg |
| BB01EPRFS | G226717 | 1 | Screw | DIN rail | 3 | 0.31 kg |
| BB03PPFS | Z226710 | 3 | Screw | Screw | 1 | 0.91 kg |
| BB03EPRFS | J226719 | 3 | Screw | DIN rail | 1 | 0.91 kg |

NH Plastic Bases

PRODUCT RANGE



BB11PP

NH Plastic bases Size 1 (power acceptance: 32W)

| Catalog number | Item number | Number of poles/phases | Connection | Installation mode | Package | Weight |
|---------------------------------------|-------------|------------------------|------------|-------------------|---------|---------|
| Type PP (clip contacts) | | | | | | |
| BB11PP | E218757 | 1 | Screw | Screw | 3 | 0.43 kg |
| BB11PPR | A223008 | 1 | Screw | DIN rail | 3 | 0.44 kg |
| BB12PP | F222484 | 2 | Screw | Screw | 2 | 0.9 kg |
| BB12PPR | G200796 | 2 | Screw | DIN rail | 2 | 0.97 kg |
| BB13PP | Y223006 | 3 | Screw | Screw | 1 | 1.5 kg |
| BB13PPR | Y201340 | 3 | Screw | DIN rail | 1 | 1.5 kg |
| BB14PP | X201339 | 4 | Screw | Screw | 1 | 1.8 kg |
| BB14PPR | H201855 | 4 | Screw | DIN rail | 1 | 1.96 kg |
| Indirect touch protection IP20 | | | | | | |
| BB11FS | V219806 | 1 | Screw | Screw | 3 | 0.7 kg |
| BB11PPRFS | P226724 | 1 | Screw | DIN rail | 3 | 0.7 kg |
| BB13PPRFS | Q226725 | 3 | Screw | DIN rail | 1 | 1.93 kg |



BB21PP

NH Plastic bases Size 2 (power acceptance: 45W)

| Catalog number | Item number | Number of poles/phases | Connection | Installation mode | Package | Weight |
|---------------------------------------|-------------|------------------------|------------|-------------------|---------|---------|
| Type PP (clip contacts) | | | | | | |
| BB21PP | F201853 | 1 | Screw | Screw | 3 | 0.53 kg |
| BB21PPR | E211075 | 1 | Screw | DIN rail | 3 | 0.53 kg |
| BB22PP | S211593 | 2 | Screw | Screw | 2 | 1.15 kg |
| BB22PPR | V211595 | 2 | Screw | DIN rail | 2 | 1.15 kg |
| BB23PP | B212107 | 3 | Screw | Screw | 1 | 1.75 kg |
| BB23PPR | D212109 | 3 | Screw | DIN rail | 1 | 1.78 kg |
| BB24PP | C213143 | 4 | Screw | Screw | 1 | 2.35 kg |
| BB24PPR | R212627 | 4 | Screw | DIN rail | 1 | 2.35 kg |
| Indirect touch protection IP20 | | | | | | |
| BB21PPFS | C226713 | 1 | Screw | Screw | 3 | 0.84 kg |
| BB21PPRFS | R226726 | 1 | Screw | DIN rail | 3 | 0.84 kg |
| BB23PPFS | D226714 | 3 | Screw | Screw | 1 | 2.22 kg |
| BB23PPRFS | S226727 | 3 | Screw | DIN rail | 1 | 2.22 kg |



BB31PP

NH Plastic bases Size 3 (power acceptance: 60W)

| Catalog number | Item number | Number of poles/phases | Connection | Installation mode | Package | Weight |
|---------------------------------------|-------------|------------------------|------------|-------------------|---------|---------|
| Type PP (clip contacts) | | | | | | |
| BB31PP | W213643 | 1 | Screw | Screw | 3 | 0.72 kg |
| BB31PPR | X213644 | 1 | Screw | DIN rail | 3 | 0.73 kg |
| BB32PP | D214662 | 2 | Screw | Screw | 2 | 1.55 kg |
| BB32PPR | B214154 | 2 | Screw | DIN rail | 2 | 1.6 kg |
| BB33PP | H215172 | 3 | Screw | Screw | 1 | 2.36 kg |
| BB33PPR | F214664 | 3 | Screw | DIN rail | 1 | 2.39 kg |
| BB34PP | L215681 | 4 | Screw | Screw | 1 | 3.22 kg |
| BB34PPR | K215174 | 4 | Screw | DIN rail | 1 | 3.31 kg |
| Indirect touch protection IP20 | | | | | | |
| BB31PPFS | E226715 | 1 | Screw | Screw | 3 | 1.1 kg |
| BB31PPRFS | T226728 | 1 | Screw | DIN rail | 3 | 1.1 kg |
| BB33PPFS | F226716 | 3 | Screw | Screw | 1 | 2.22 kg |
| BB33PPRFS | V226729 | 3 | Screw | DIN rail | 1 | 2.22 kg |

MERSEN reserves the right to change, update or correct, without notice, any information contained in this datasheet.

NH Plastic Bases

PRODUCT RANGE

NH Plastic bases Size 4 type P (clip contacts) fuse bases

| Catalog number | Item number | Number of poles/phases | Connection | Installation mode | Package | Weight |
|----------------|-------------|------------------------|------------|-------------------|---------|---------|
| BB41P | W223004 | 1 | Screw | Screw | 1 | 2.23 kg |

NH Plastic bases for NH fuse-links with striker

| Catalog number | Item number | Size | Number of poles/phases | Connection | Installation mode | Package | Weight |
|---------------------------------------|-------------|------|------------------------|------------|-------------------|---------|---------|
| For NH fuse-links with striker | | | | | | | |
| BB01PPMS | T216194 | 0 | 1 | Screw | Screw / DIN rail | 1 | 0.29 kg |
| BB11PPMS | Q216697 | 1 | 1 | Screw | Screw / DIN rail | 1 | 0.52 kg |
| BB21PPMS | D217215 | 2 | 1 | Screw | Screw / DIN rail | 1 | 0.61 kg |
| BB31PPMS | H218760 | 3 | 1 | Screw | Screw / DIN rail | 1 | 0.8 kg |

TECHNICAL DATA

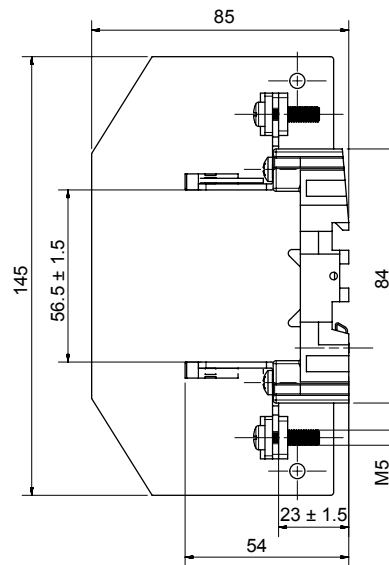
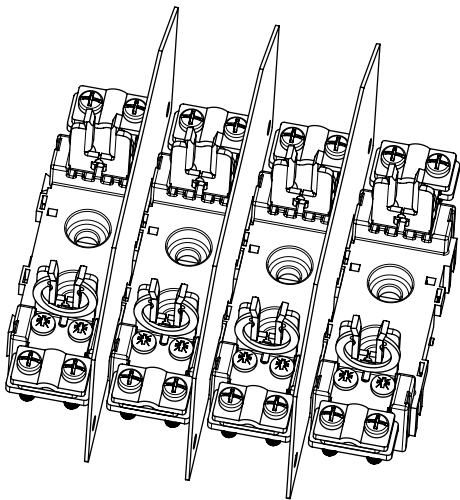
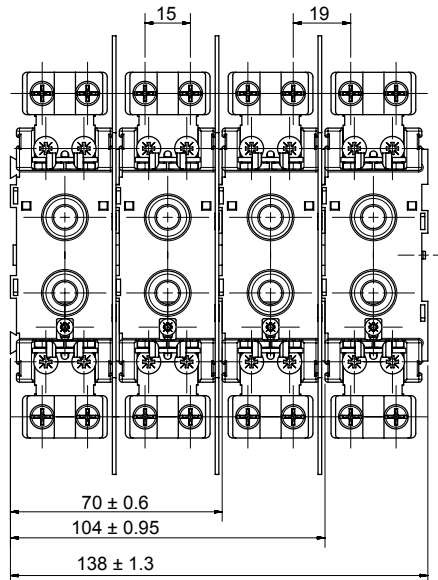
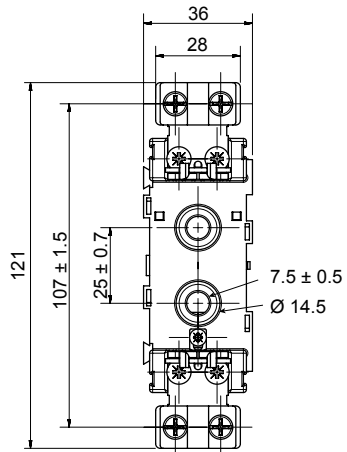
| | Size 00 | Size 0 | Size 1 | Size 2 | Size 3 | Size 4 |
|---------------------------------|-----------------------------------|----------|-------------|-------------|-------------|--------|
| Installation mode | M6 screw | M6 screw | M8-10 screw | M8-10 screw | M8-10 screw | - |
| Tightening torque (on base) | 6Nm | 14-17Nm | 14-17Nm | 14-17Nm | 14-17Nm | - |
| Standard cable terminal | M8 (screw) M5 (clamp) | M8 | M10 | M10 | M12 | M16 |
| Tightening torque (max.) | 12Nm (screw) 3,9Nm (clamp) | 13,2Nm | 32Nm | 32Nm | 40Nm | - |
| Tightening torque (recommended) | 8-10Nm (screw) 3-3,9Nm (clamp) | 8-10Nm | 27-32Nm | 27-32Nm | 27-32Nm | - |

MERSEN reserves the right to change, update or correct, without notice, any information contained in this datasheet.

NH Plastic Bases

DIMENSIONS

NH00-EP clamp

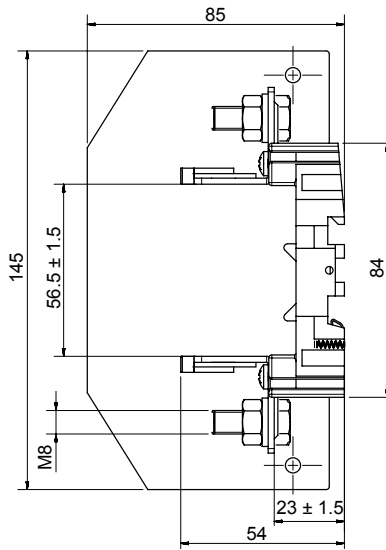
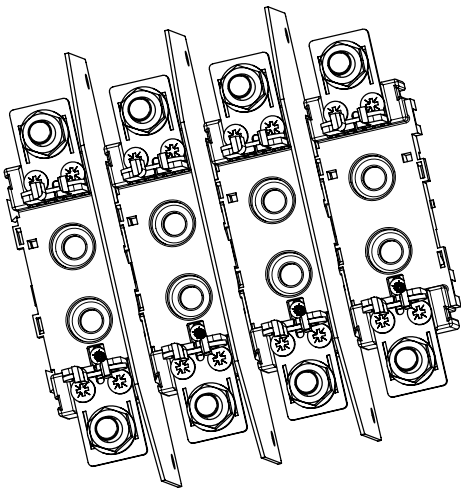
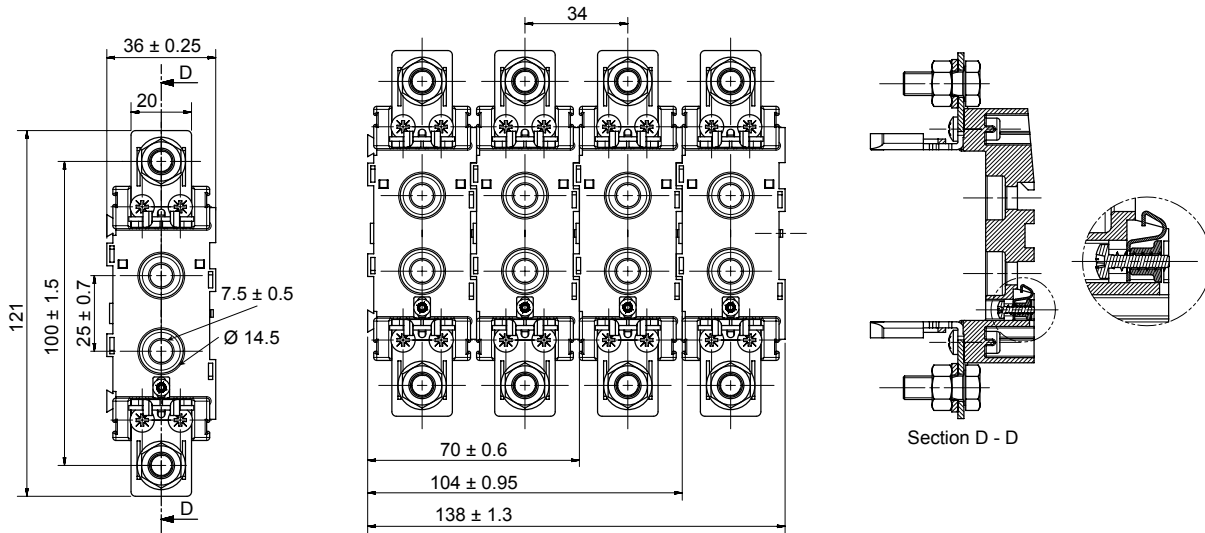


Dimensions in mm

NH Plastic Bases

DIMENSIONS

NH00-EP screw

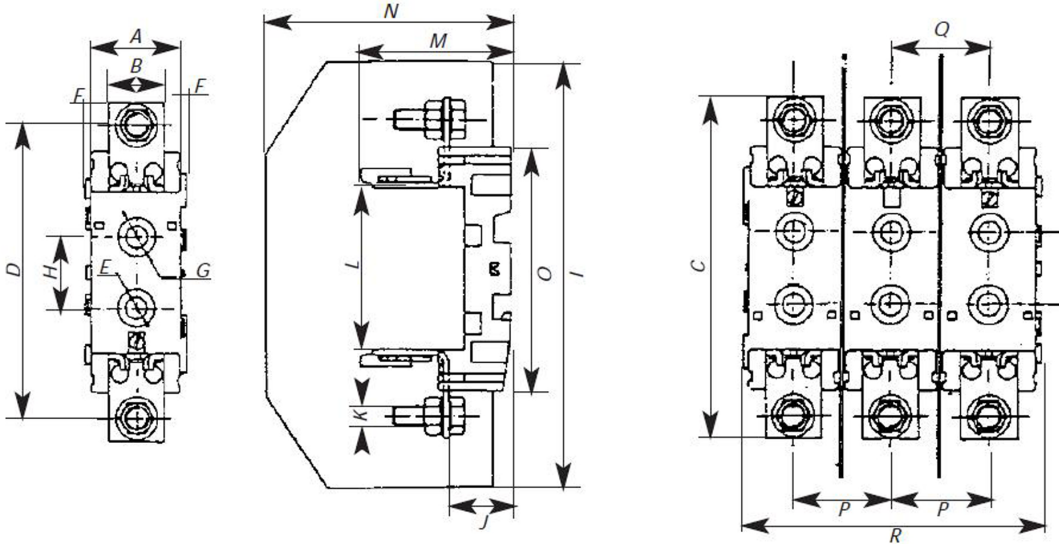


Dimensions in mm

NH Plastic Bases

DIMENSIONS

Size 00

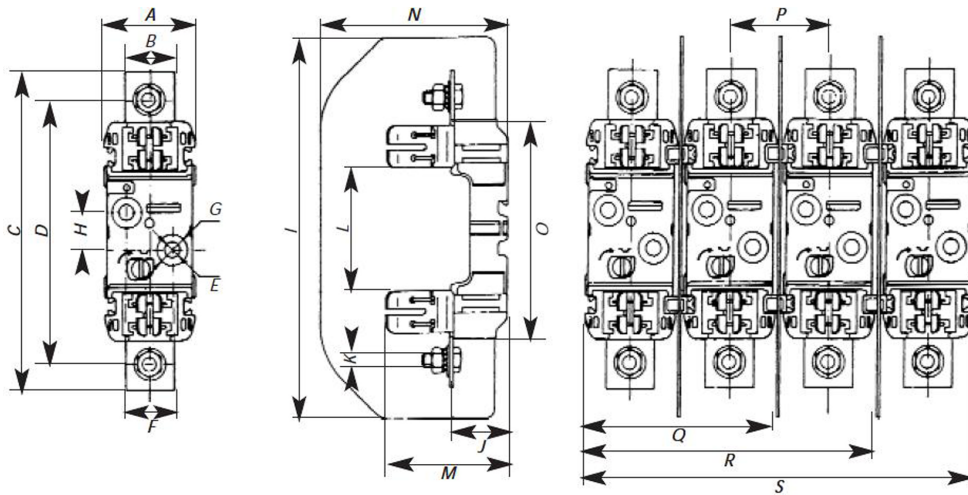


| A | B | C | D | E | F | G | H | I |
|----|----|-----|-----|---|---|----|----|-----|
| 32 | 20 | 117 | 100 | 8 | 2 | 14 | 25 | 145 |

| J | K | L | M | N | O | P | Q | R |
|------|---|----|----|----|----|----|---|-----|
| 21.5 | 8 | 56 | 52 | 85 | 84 | 34 | 1 | 104 |

Dimensions in mm

Size 0 to 3



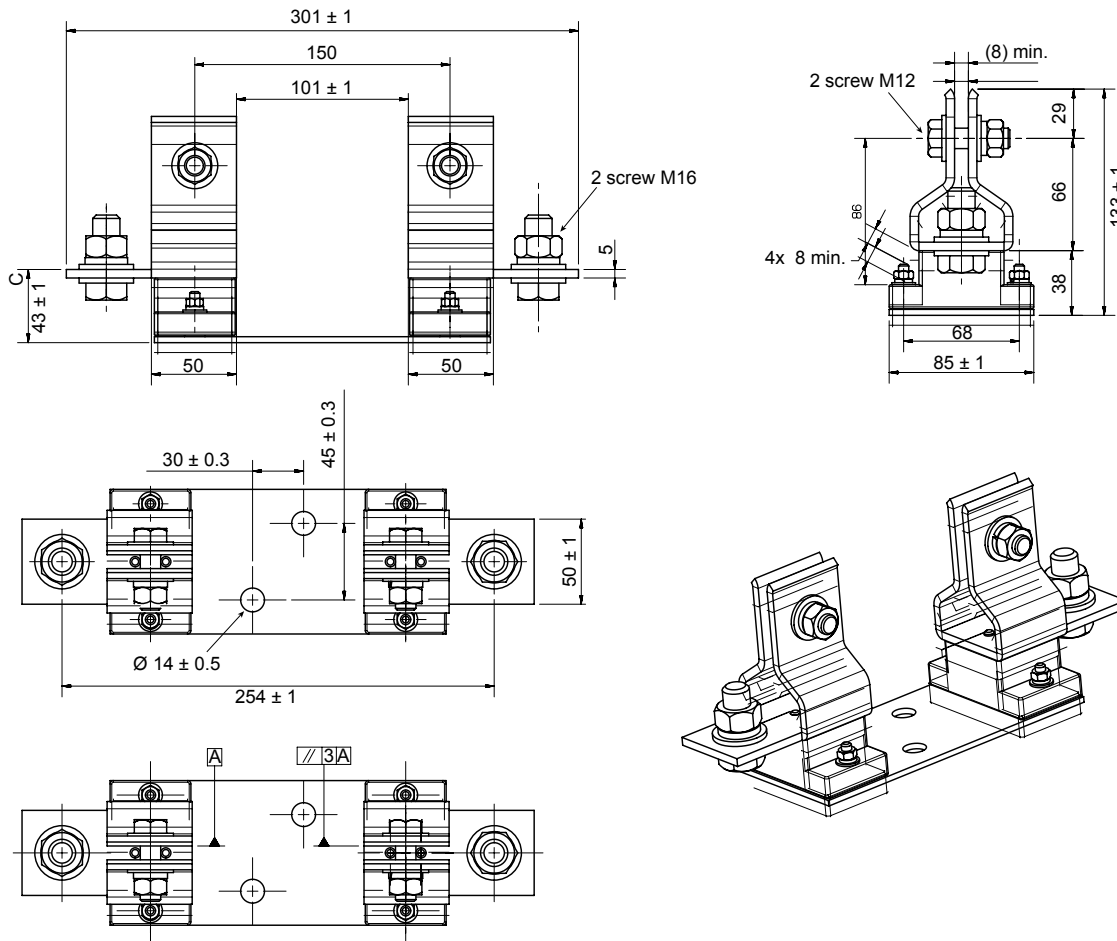
| Size | A | B | C | D | E | F | G | H | I | J | K | L | M | N | O | P | Q | R | S |
|------|----|----|-----|-------|------|----|------|----|-----|----|-----|----|-----|-------|-----|------|-------|-----|-------|
| 0-EP | 46 | 20 | 168 | 150.5 | 7.5 | - | 14.5 | 25 | 185 | 29 | M8 | 74 | 59 | 95 | 122 | 48.5 | 94 | 142 | 190 |
| 0-PP | 46 | 25 | 168 | 150.5 | 7.5 | - | 14.5 | 25 | 185 | 29 | M8 | 75 | 61 | 95 | 122 | 48.5 | 94 | 142 | 190 |
| 1-PP | 60 | 32 | 209 | 176 | 10.5 | 30 | 20.5 | 25 | 250 | 35 | M10 | 81 | 71 | 122.5 | 146 | 65.5 | 125.5 | 191 | 256.5 |
| 2-PP | 60 | 35 | 225 | 201 | 10.5 | 30 | 20.5 | 25 | 250 | 35 | M10 | 81 | 89 | 122.5 | 146 | 65.5 | 125.5 | 191 | 256.5 |
| 3-PP | 60 | 40 | 241 | 210 | 10.5 | 30 | 20.5 | 25 | 270 | 35 | M12 | 81 | 103 | 142.5 | 146 | 81.5 | 141.5 | 223 | 304.5 |

Dimensions in mm

NH Plastic Bases

DIMENSIONS

NH4

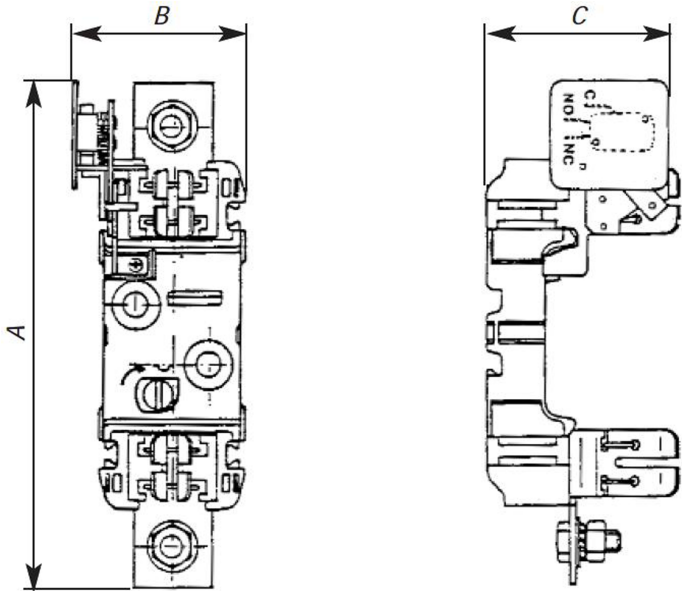


Dimensions in mm

NH Plastic Bases

DIMENSIONS

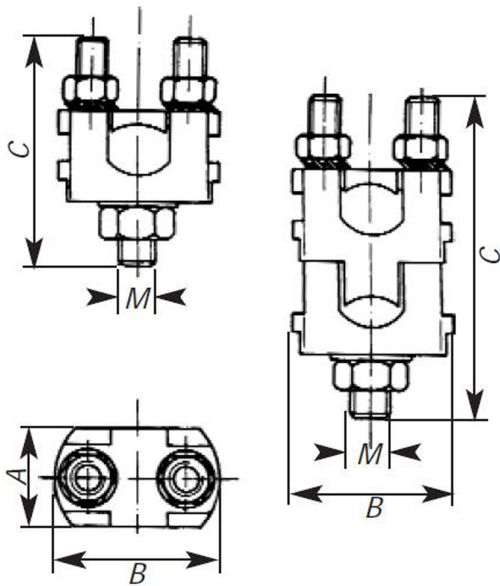
Fuse-bases 690V for HRC fuse-links NH with striker



| Size | A | B | C |
|------|-----|----|----|
| NH 0 | 192 | 64 | 66 |
| NH 1 | 213 | 93 | 77 |
| NH 2 | 222 | 73 | 82 |
| NH 3 | 233 | 80 | 83 |

Dimensions in mm

Terminal for NH Bases

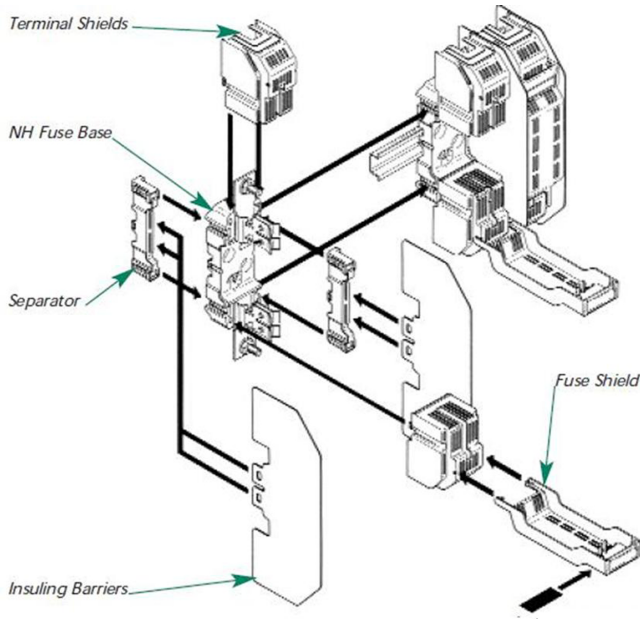


| Reference | A | B | C | M |
|-----------|----|----|----|----|
| Q217755 | 18 | 26 | 34 | 6 |
| A218270 | 24 | 35 | 52 | 8 |
| N218788 | 26 | 41 | 58 | 10 |
| A219305 | 36 | 53 | 68 | 12 |
| B219835 | 18 | 26 | 39 | 6 |
| P222515 | 24 | 35 | 82 | 8 |
| F223036 | 26 | 41 | 84 | 10 |
| B201366 | 36 | 53 | 98 | 12 |

Dimensions in mm

NH Plastic Bases

DIMENSIONS



Dimensions in mm

ACCESSORIES



BB00TS

Cover/shrouds for cable termination

| Catalog number | Item number | Design | Package | Weight |
|----------------|-------------|---------|---------|--------|
| BB00TS | M222513 | Size 00 | 6 | 14.4 g |
| BB0TS | K200822 | Size 0 | 6 | 24.1 g |
| BB1TS | L201881 | Size 1 | 6 | 51.6 g |
| BB2TS | Y211621 | Size 2 | 6 | 53.3 g |
| BB3TS | X212655 | Size 3 | 6 | 0.1 kg |



BB00COV

Covers/protective covers for tags

| Catalog number | Item number | Design | Package | Weight |
|----------------|-------------|----------|---------|--------|
| BB00COV | G213170 | Size 00 | 3 | 20 g |
| BB0COV | F214181 | Size 0 | 3 | 28.3 g |
| BB1-2COV | K214691 | Size 1-2 | 3 | 48.3 g |
| BB3COV | R215709 | Size 3 | 3 | 58 g |



BB00CL

Phase barriers

| Catalog number | Item number | Design | Package | Weight |
|----------------|-------------|-----------------|---------|--------|
| BB001BLOC | B233865 | Size 00-3 poles | 2 | 20 g |
| BB00CL | W212654 | Size 00 | 2 | 18.7 g |
| BB0CL | Z213669 | Size 0 | 2 | 20 g |
| BB1-2PPCL | J214690 | Sizes 1 & 2 | 2 | 45 g |
| BB3PPCL | Q215708 | Size 3 | 2 | 65 g |

ACCESSORIES

Varieties of cable termination

| Catalog number | Item number | Design | Package | Weight |
|----------------|-------------|--|---------|---------|
| BORNEABF95 | A218270 | 1 cable Size min. - max.: 10mm - 95mm | 50 | 0.10 kg |
| BORNEABF150 | N218788 | 1 cable Size min. - max.: 16mm - 150mm | 30 | 0.17 kg |
| BORNEABF240 | A219305 | 1 cable Size min. - max.: 50mm - 240mm | 15 | 0.36 kg |
| BORNEABF50D | B219835 | 2 cables Size min. - max.: 6mm - 50mm | 60 | 0.51 kg |
| BORNEABF95D | P222515 | 2 cables Size min. - max.: 10mm - 95mm | 30 | 0.17 kg |
| BORNEABF150D | F223036 | 2 cables Size min. - max.: 25mm - 150mm | 20 | 0.27 kg |
| BORNEABF240D | B201366 | 2 cables Size min. - max.: 95mm - 240mm | 5 | 0.60 kg |

Auxiliary Switches

| Catalog number | Item number | Design | Rated current I _n | Package | Weight |
|----------------|-------------|--------|------------------------------|---------|--------|
| MSBB01 | X219279 | Size 0 | 160 A | 1 | 39 g |
| MSBB11 | Y219809 | Size 1 | 250 A | 1 | 41 g |
| MSBB21 | J222487 | Size 2 | 400 A | 1 | 41 g |
| MSBB31 | B223009 | Size 3 | 630 A | 1 | 33 g |



BBPAK0

Multipole assembly

| Catalog number | Item number | Design | Package | Weight |
|----------------|-------------|----------|---------|--------|
| BBPAK0 | V216724 | Size 0 | 2 | 7.5 g |
| BBPAK1-2 | N217753 | Size 1-2 | 2 | 20 g |
| BBPAK3 | M218787 | Size 3 | 2 | 27.5 g |